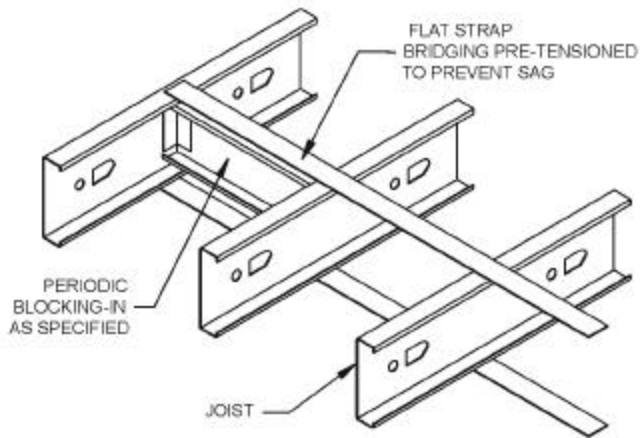


Lightweight Steel Framing Details – *Floors & Roofs*

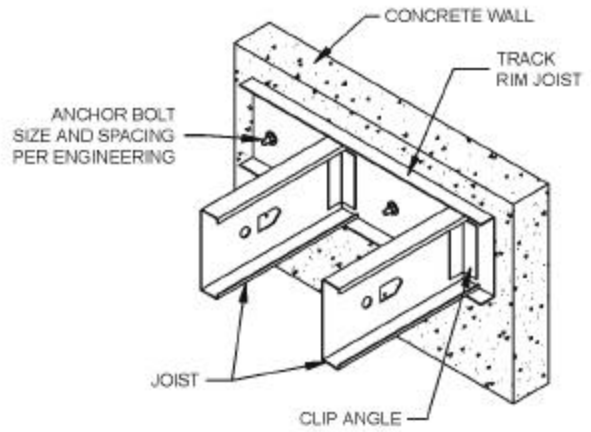
CSSBI 59-04-D
November 2004



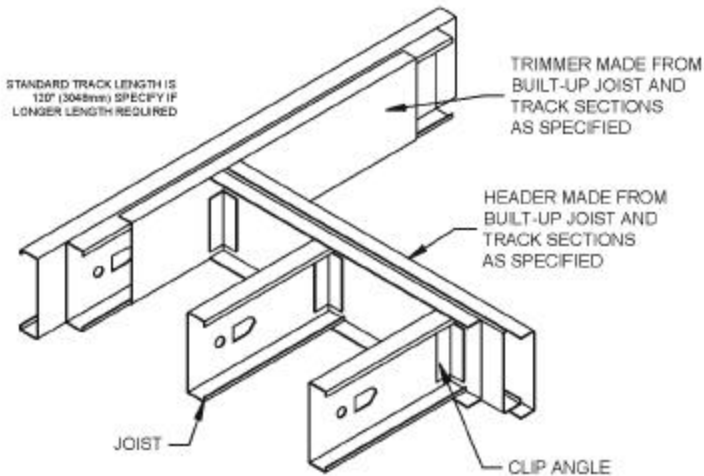
FLOOR JOISTS



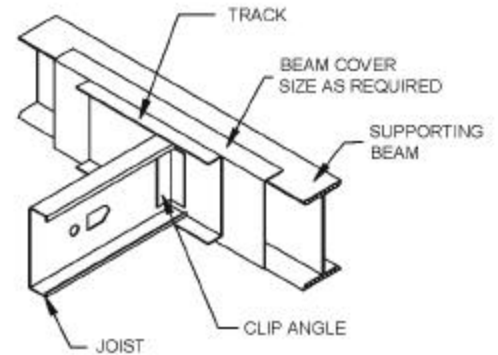
43 FLOOR JOIST WITH BRIDGING AND BLOCKING



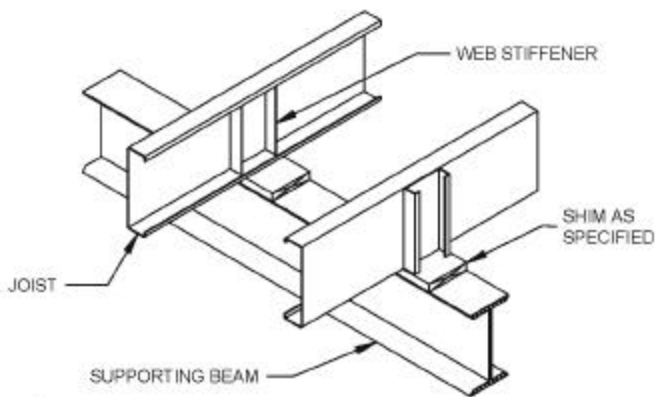
44 FLOOR MOUNTED INSIDE CONCRETE WALL



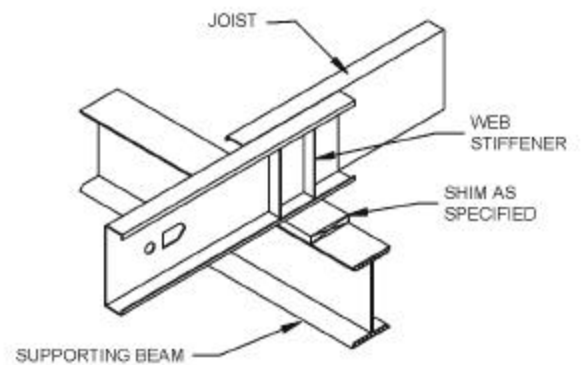
45 OPENING IN FLOOR



46 FLUSH CONNECTION TO SUPPORTING BEAM

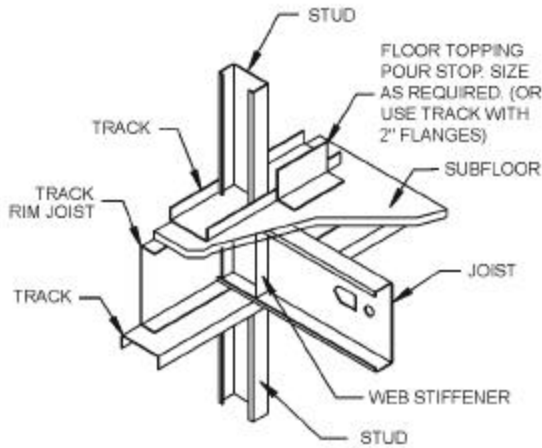


47 JOISTS CONTINUOUS OVER SUPPORTING BEAM

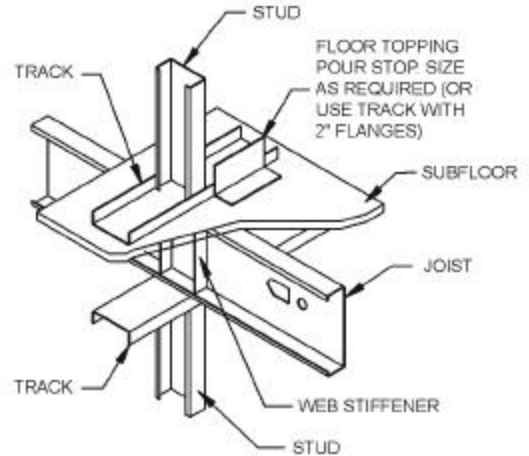


48 JOISTS OVERLAPPING SUPPORTING BEAM

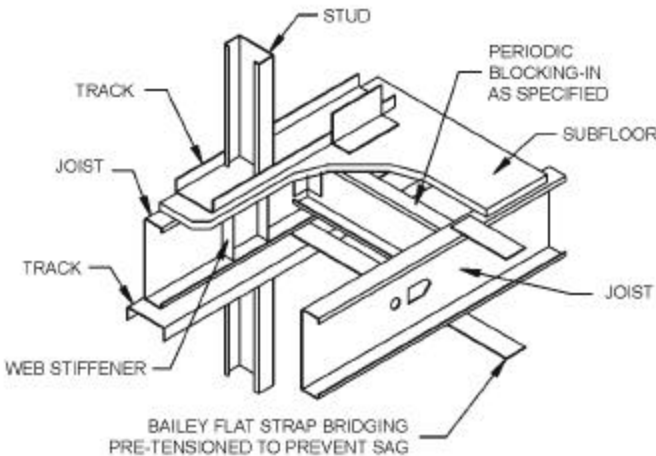
FLOOR JOISTS



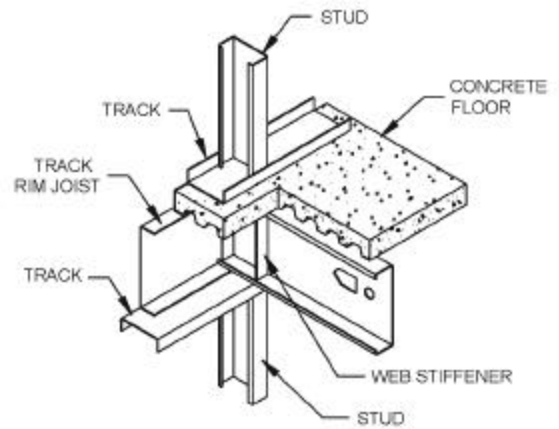
49 JOIST PERPENDICULAR TO PERIMETER



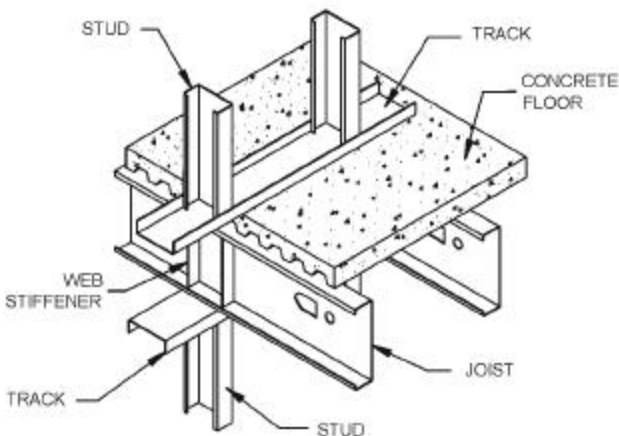
50 JOIST ABOVE LOADBEARING WALL



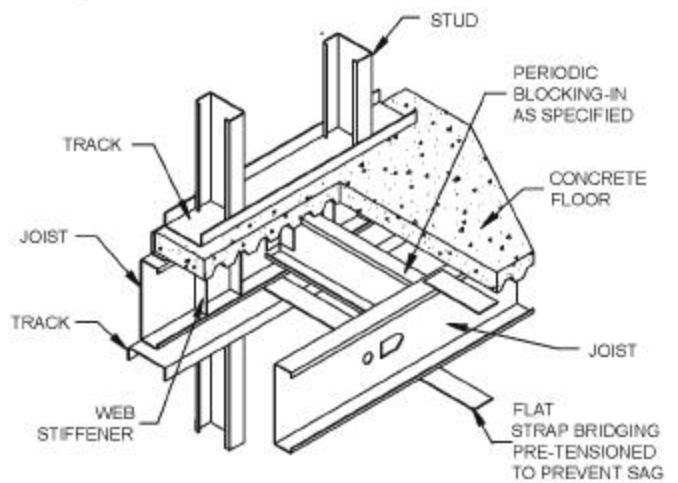
51 JOIST PARALLEL TO PERIMETER



52 JOIST PERPENDICULAR TO PERIMETER

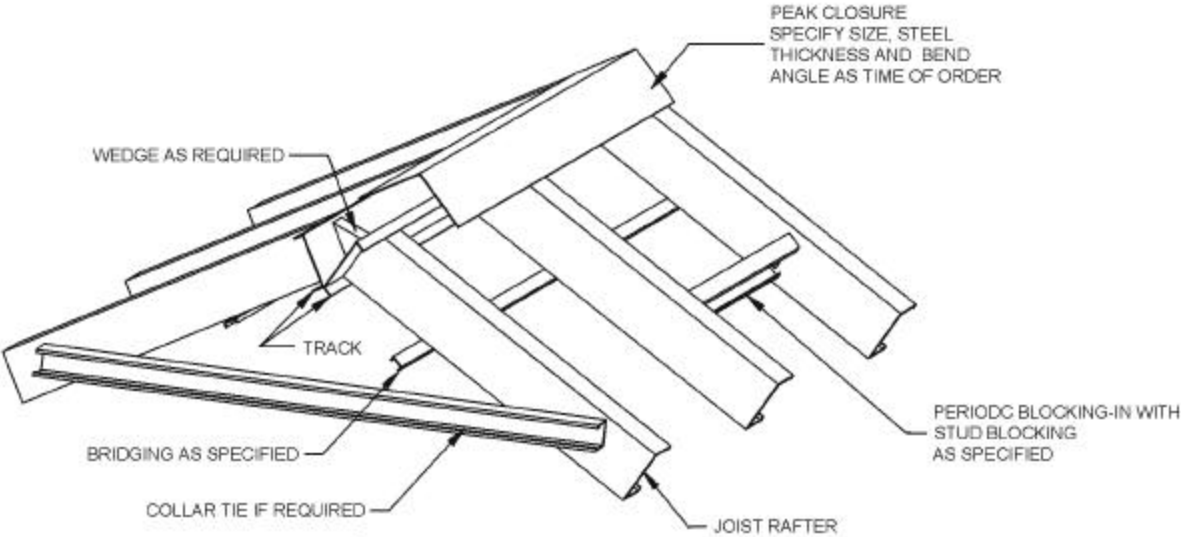


53 JOIST ABOVE LOADBEARING WALL

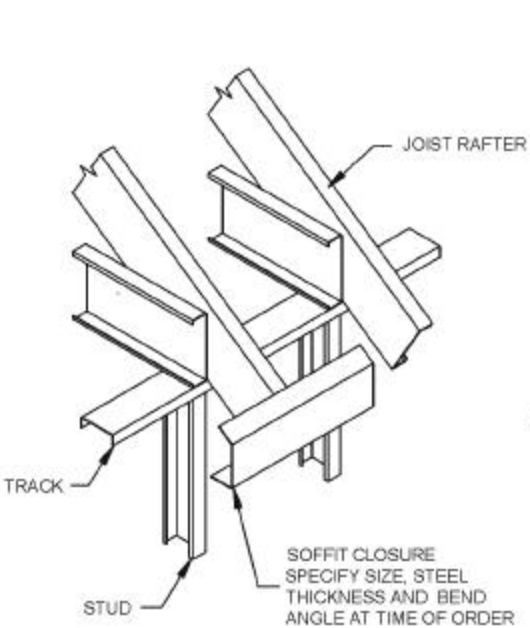


54 JOIST PARALLEL TO PERIMETER

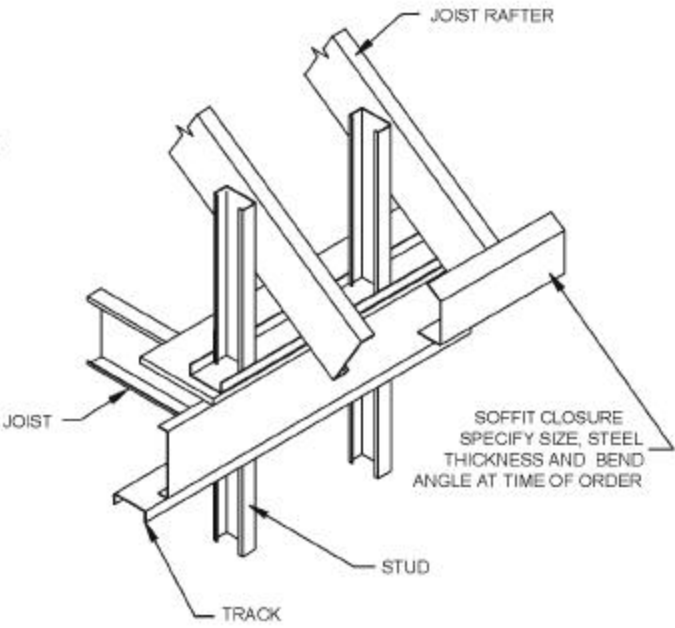
ROOF JOISTS



55 RAFTER AT PEAK



56 RAFTER AT PERIMETER WALL



57 RAFTER AT PERIMETER WALL